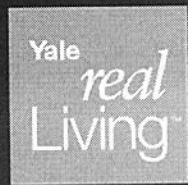


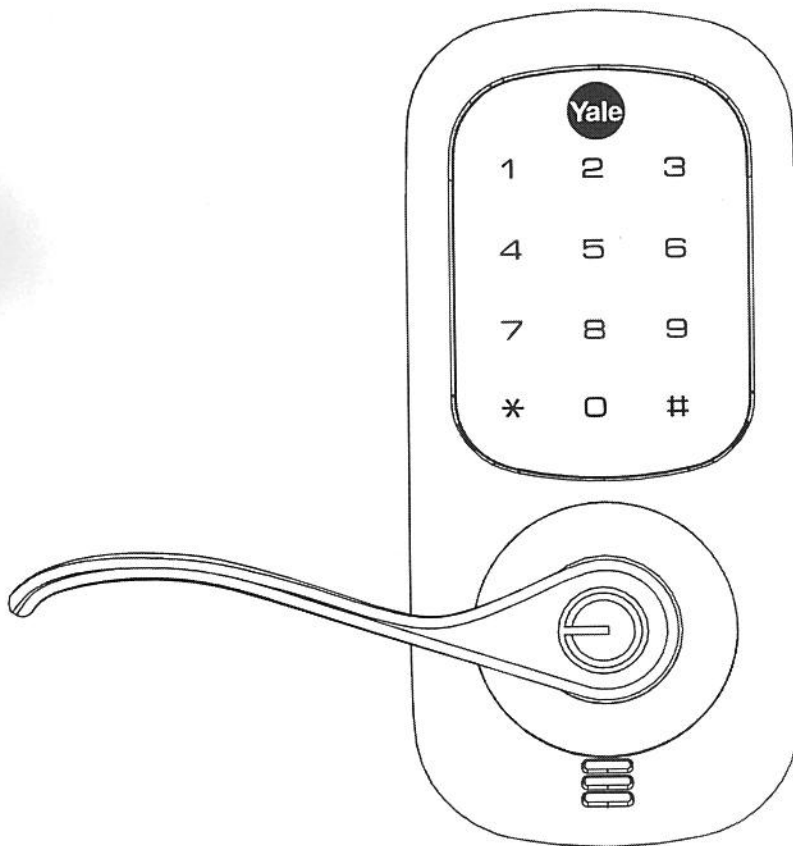


Yale Real Living™ Touchscreen Lever Installation and Programming Instructions



NOTE TO INSTALLER

FAILURE TO FOLLOW THESE INSTRUCTIONS
COULD RESULT IN DAMAGE TO THE PRODUCT
AND VOID THE FACTORY WARRANTY



For Technical Assistance call Yale at 1-800-810-WIRE (9473)

This document is available on our website in printed Spanish and French. Go to www.yalerealliving.com.
Click "Product Information & Documentation" and then "Installation Instructions".

Este documento está disponible en español en nuestra página de internet. Vaya a www.yalerealliving.com.
Presione "Información del Producto y Documentación" y luego "Instrucciones de Instalación".

Ce document est disponible sur notre site Web dans le français imprimé. Allez à www.yalerealliving.com.
Cliquez sur le "Information sur le produit et Documentation" et puis "Installation Instructions".

TABLE OF CONTENTS

Warnings	2
Introduction	3
Installation	
Components and Tools.....	4
Install Lock	5-13
Programming	
Programming Features-Menus-Keys-Definitions	14-15
Operation.....	16-18
Miscellaneous Information	
Hardware Troubleshooting.....	19
Programming Troubleshooting	21
Installing the Network Module	22
Replace/Install Cylinder	22
Sample PIN Code Management Sheet.....	23

WARNINGS

Warning: Changes or modifications to this device not expressly approved by Yale Security, Inc. could void the user's authority to operate the equipment.

IMPORTANT: The accuracy of the door preparation is critical for the proper functioning and security of this product. Misalignment can cause performance degradation and a lessening of security.

Finish Care: This lockset is designed to provide the highest standard of product quality and performance. Care should be taken to ensure a long-lasting finish. When cleaning is required use a soft, damp cloth. **Using lacquer thinner, caustic soaps, abrasive cleaners or polishes could damage the coating and result in tarnishing.**

FCC:

FCC ID: U4A-YRHCPZW0 (Z-Wave); U4A-YRHCPZB0 (Zigbee)

This equipment has been tested and found to comply with the limits for a Class B digital device, pursuant to Part 15 of the FCC Rules. These limits are designed to provide reasonable protection against harmful interference in a residential installation. This equipment generates, uses, and can radiate radio frequency energy and, if not installed and used in accordance with the instructions, may cause harmful interference to radio communications. However, there is no guarantee that interference will not occur in a particular installation. If this equipment does cause harmful interference to radio or television reception, which can be determined by turning the equipment off and on, the user is encouraged to try to correct the interference by one or more of the following measures:

- Reorient or relocate the receiving antenna.
- Increase the separation between the equipment and receiver.
- Connect the equipment into an outlet on a circuit different from that to which the receiver is connected.
- Consult the dealer or an experienced radio/TV technician for help.

Industry Canada:

Canadian ID: 6982A-YRHCPZW0 (Z-Wave); 6982A-YRHCPZB0 (Zigbee)

This Class B digital apparatus meets all requirements of the Canadian Interference Causing Equipment Regulations. Operation is subject to the following two conditions: (1) this device may not cause harmful interference, and (2) this device must accept any interference received, including interference that may cause undesired operation.

Cet appareillage numérique de la classe B répond à toutes les exigences de l'interférence canadienne causant des règlements d'équipement. L'opération est sujette aux deux conditions suivantes: (1) ce dispositif peut ne pas causer l'interférence nocive, et (2) ce dispositif doit accepter n'importe quelle interférence reçue, y compris l'interférence qui peut causer l'opération peu désirée.

For the U4A-YRHCPZB0 and 6982A-YRHCPZB0, the following statement applies:

"This equipment complies with FCC/IC radiation exposure limits set forth for an uncontrolled environment. This equipment should be installed and operated with minimum distance 20cm between the radiator and your body. This transmitter must not be co-located or operating in conjunction with any other antenna or transmitter."

Section 7.1.2 of RSS-GEN Under Industry Canada regulations, this radio transmitter may only operate using an antenna of a type and maximum (or lesser) gain approved for the transmitter by Industry Canada. To reduce potential radio interference to other users, the antenna type and its gain should be so chosen that the equivalent isotropically radiated power (e.i.r.p.) is not more than that necessary for successful communication.

En vertu des règlements d'Industrie Canada, cet émetteur radio ne peut fonctionner avec une antenne d'un type et un maximum (ou moins) approuvés pour gagner de l'émetteur par Industrie Canada. Pour réduire le risque d'interférence aux autres utilisateurs, le type d'antenne et son gain doivent être choisies de façon que la puissance isotrope rayonnée équivalente (PIRE) ne dépasse pas ce qui est nécessaire pour une communication réussie.

Section 7.1.3 of RSS-GEN This Device complies with Industry Canada License-exempt RSS standard(s). Operation is subject to the following two conditions: 1) this device may not cause interference, and 2) this device must accept any interference, including interference that may cause undesired operation of the device.

Cet appareil est conforme avec Industrie Canada RSS standard exemptes de licence(s). Son fonctionnement est soumis aux deux conditions suivantes: 1) ce dispositif ne peut causer des interférences, et 2) cet appareil doit accepter toute interférence, y compris les interférences qui peuvent causer un mauvais fonctionnement du dispositif.

INTRODUCTION

The Yale Real Living™ Stand-alone Touchscreen Lever Lock combines a robust lockset with a contemporary electronic aesthetic.

Users benefit from an interactive touchscreen that makes day-to-day access effortless, as well as offering voice-guided programming for simple updates to user information in the event of staffing changes or security breaches. Yale Real Living™ is engineered for quick and easy installation and fits in place of a standard deadbolt lock door prep (ANSI/BHMA A156.115).

If this is an RF-enabled network lock, it needs to be located within 50 - 100 feet of another network controller. That distance is influenced by objects between the lock and the controller and may be expanded depending on proximity to other RF network devices. Also, if the lock is connected to a network controller, it is recommended that it is programmed through the centralized user interface (PC or hand-held device) to ensure communication between the lock and the controller unit.

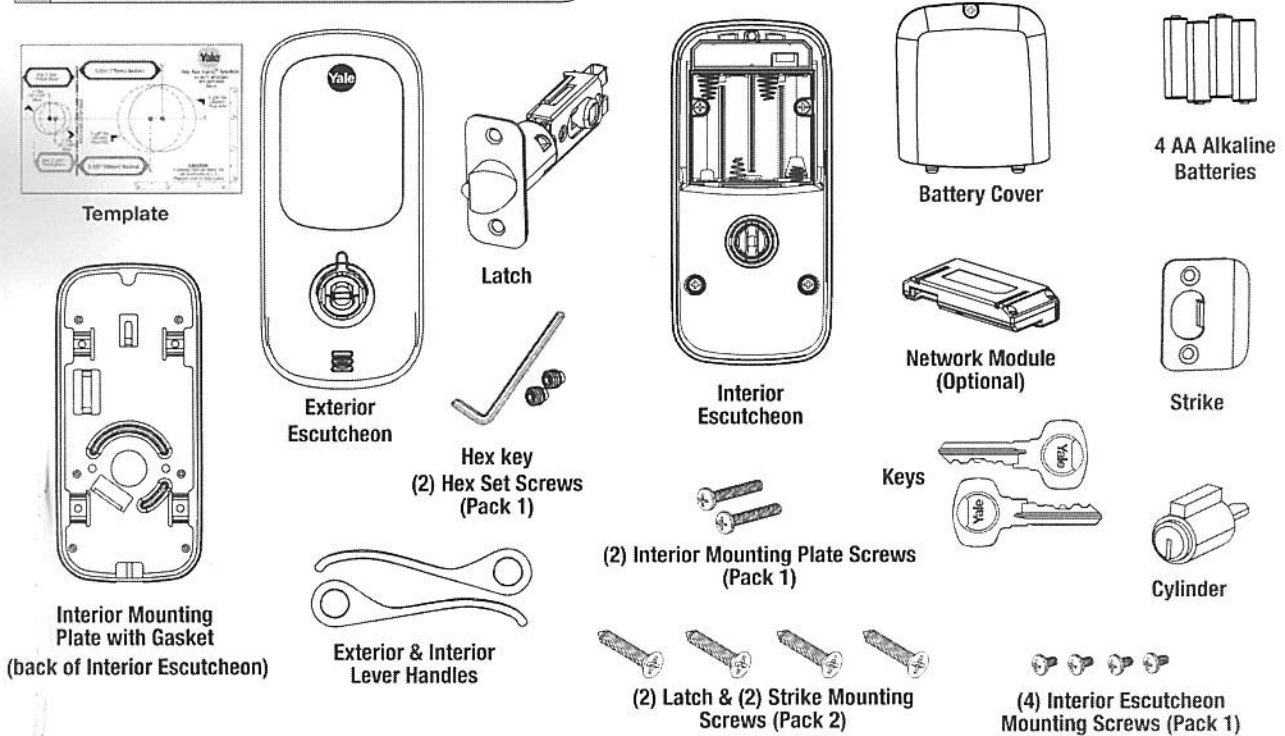
INSTALLATION

COMPONENTS AND TOOLS

Included in the box...

- | | | |
|--|--|--|
| <input type="checkbox"/> Installation Instructions | <input type="checkbox"/> Interior Mounting Plate (with gasket) | <input type="checkbox"/> Keys |
| <input type="checkbox"/> Template | <input type="checkbox"/> Interior Escutcheon | <input type="checkbox"/> Cylinder |
| <input type="checkbox"/> Latch | <input type="checkbox"/> Exterior Escutcheon | <input type="checkbox"/> Battery Cover |
| <input type="checkbox"/> Strike | <input type="checkbox"/> (2) Screw Packs (see below) | <input type="checkbox"/> Hex key |
| | | <input type="checkbox"/> 4 AA Alkaline Batteries |

Parts Illustrations



Tools Needed

Door Prep

- 2-1/8" (54mm) hole saw
- 1" (26mm) boring bit
- 7/64" (2.5mm) drill bit
- Chisel & hammer

Lock Installation

- #2 Phillips screw driver
- Hex key (3mm) - provided

INSTALL LOCK

Preparation

Before installing the lock on the door:

NOTE: Make sure door has been prepped according to specifications in template included with lock.

A. Remove the latch (Fig. A) and strike from the packaging.

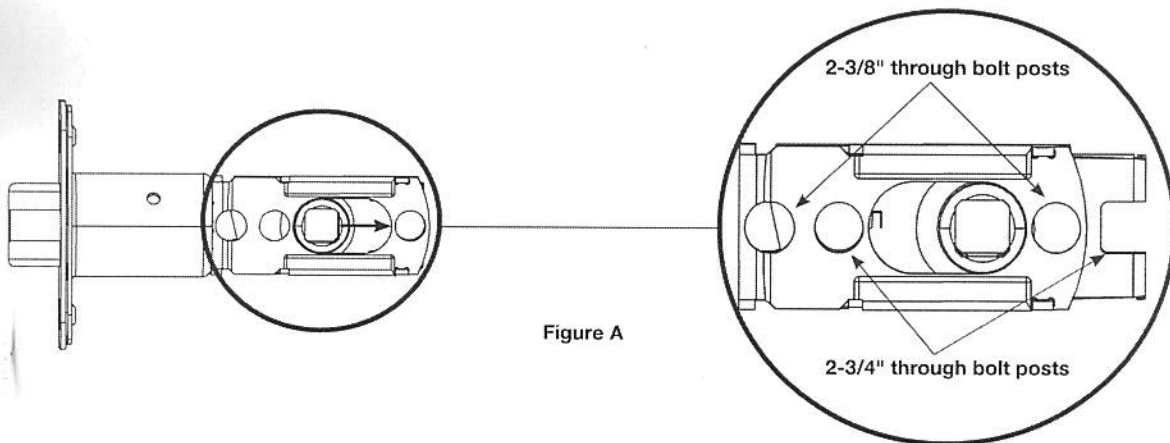
Both latch face and strike have adhesive-backed covers to prevent marring and should be removed upon installation.

NOTE: Latch ships with backset in 2-3/8" position (Fig. A).

Backset is the measurement from door edge to center of 2-1/8" diameter hole (see template supplied with lock).

If required, pull to extend to 2-3/4" backset position.

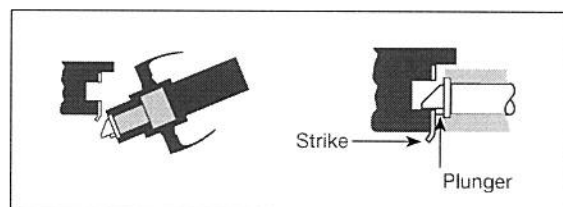
NOTE: Different holes are used for (2) through bolt posts depending on backset (Fig. A).



NOTE: The latch can be installed in only one of two ways - with the *bevel* (slope) of the latch facing out or facing in **while standing outside of the door**.

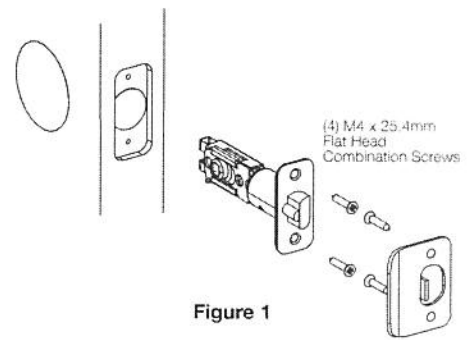
If the door opens **in**, the bevel will face the exterior (regular); if the doors opens **out**, the bevel will face the interior (reverse).

IMPORTANT: Latch bevel must match door bevel and plunger of deadlocking latch must stop on strike when door is closed.



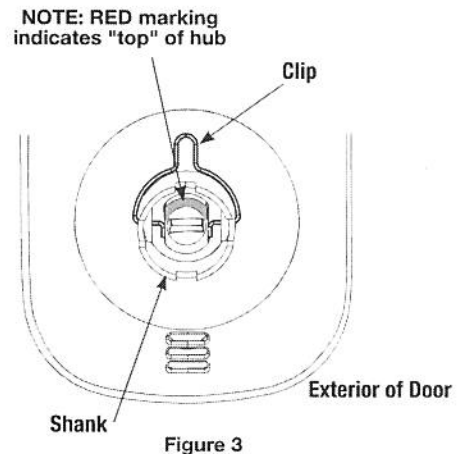
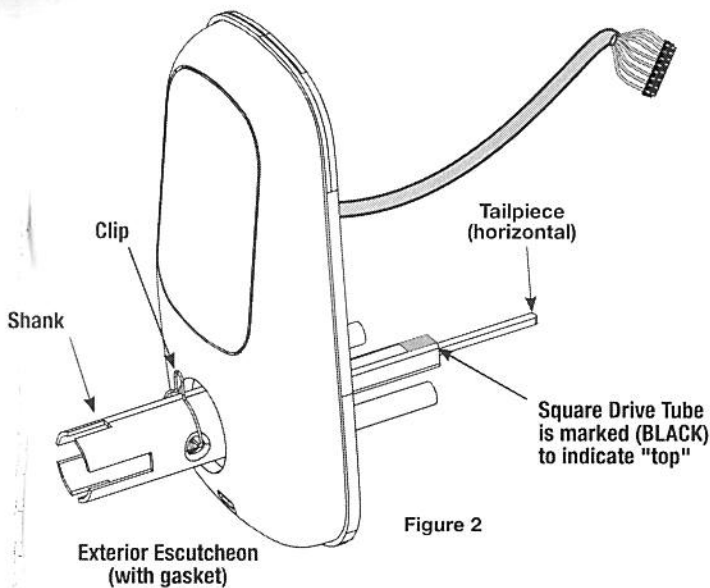
Install Latch

1. Install latch in door, securing with two (2) M4 x 25.4mm screws supplied (Fig. 1).
2. Install strike on the door frame, using two (2) M4 x 25.4mm screws supplied, making sure to allow for the latch to be **centered** in the strike.



Install Exterior Escutcheon

NOTE: The "tops" of both the square drive tube (which houses the tailpiece) and the hub (in the shank) are **marked** (Figures 2 & 3) to indicate their orientation for proper installation.



Do not remove clip from Exterior Escutcheon shank until correct handing has been determined and Exterior Lever Handle is to be installed.

(See pages 10-11)

- From outside of door, position the exterior escutcheon by first routing the wire harness through 2-1/8" diameter hole and **under** the latch (Fig. 4 & 5), then inserting the through posts* and tailpiece/square drive tube into the latch (Fig. 5).

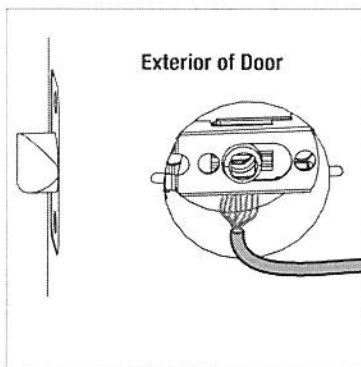


Figure 4

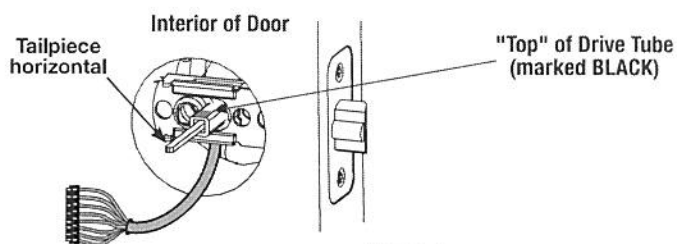


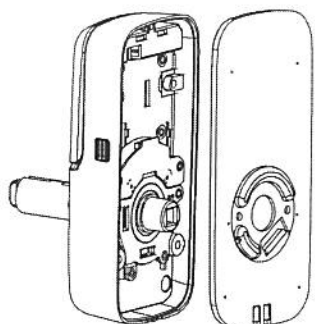
Figure 5



NOTE: Wire harness goes **under** latch (Fig. 4 & 5).

*Posts are inserted in holes according to backset adjustment. (Refer to Fig. A under "Lock Preparation")

- Remove the interior mounting plate (with gasket) from the back (door side) of the interior escutcheon (Fig. 6).



Interior Escutcheon & Mounting Plate
(with gasket)

Figure 6

A. Ensure that gasket on interior mounting plate is properly fitted (Fig. 7).

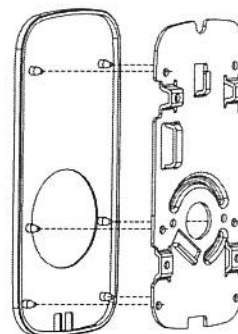


Figure 7

- Remove the battery cover from the back of the interior escutcheon (Fig. 8) by loosening the captive Phillips head screw, then lifting the cover up and out. Note tabs at bottom of cover.

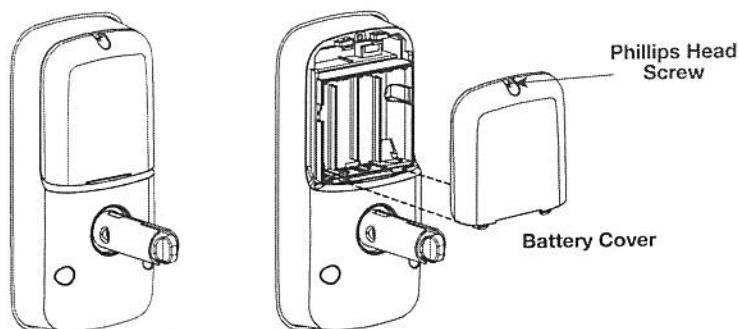


Figure 8

Install Exterior Escutcheon and Interior Mounting Plate

6. Holding the exterior escutcheon flush to the door, position the interior mounting plate by first routing the wire harness through the mounting plate's 1/2" rectangular hole below center hole (Fig. 9).

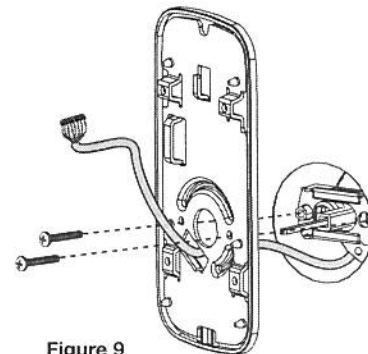


Figure 9

Interior of Door

7. Secure both assemblies by inserting (2) M4 x 25.4mm pan head machine screws through the mounting plate and into the slightly extended **through posts** of the exterior escutcheon (Fig. 10).

Ensure that exterior escutcheon is vertically aligned.

Tighten securely with a #2 Phillips screwdriver.

Do not over-tighten.

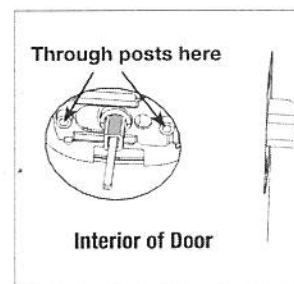


Figure 10

8. Finish routing the wire harness and connector through the left upper slot, then behind center rib (Fig. 11).

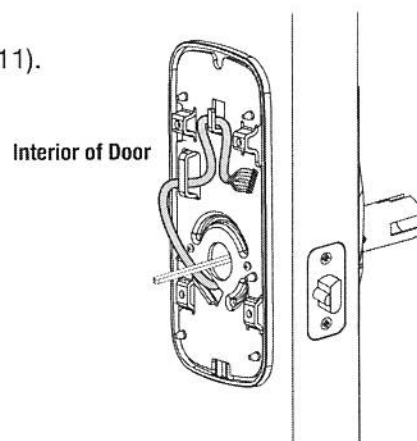
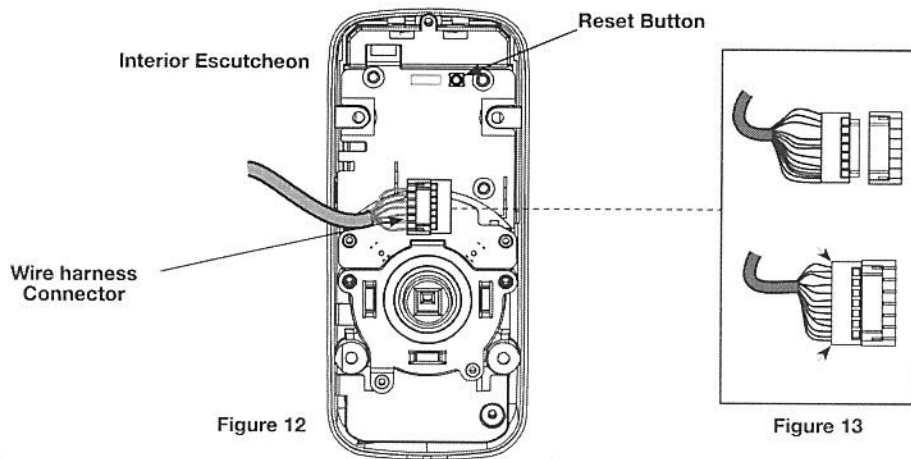


Figure 11

Install Interior Escutcheon

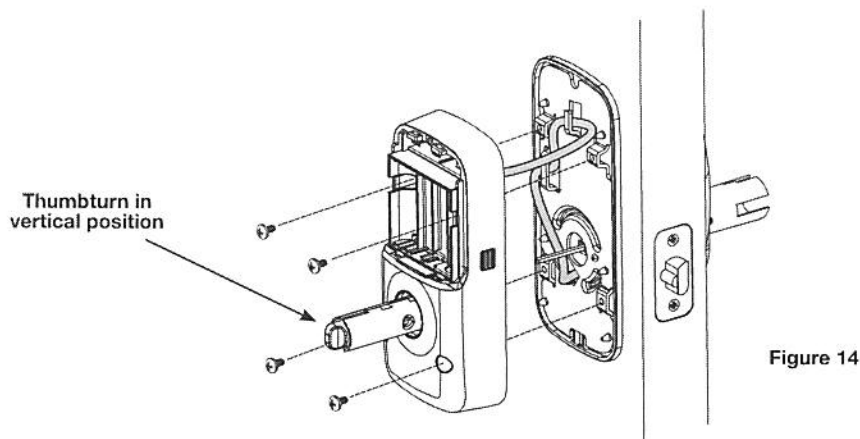
9. Attach wire harness to the interior escutcheon printed circuit board (PCB) by lining up notches on top of connector to slots on PCB connector (Fig. 12 & 13).
Press connector in firmly using thumbs until completely seated (properly seated position indicated by arrows on PCB as in Fig. 13).



10. Install and secure interior escutcheon to interior mounting plate using (4) M4 x 8mm pan head machine screws through the interior escutcheon into the mounting plate (see Fig. 14).

Thumbturn must be in vertical position.

NOTE: Ensure wire harness does not obstruct path of the mounting screws.



Determine Lever Handing

Right Hand: Hinges on right, opens inward. For handed locks, specify RH.

Right Hand Reverse: Hinges on right, opens outward. For handed locks, specify RHR.

Hinges on Right →

Right handed lever position

**RH
RHR
Lever**

Left Hand: Hinges on left, open inward. For handed locks, specify LH.

Left Hand Reverse: Hinges on left, opens outward. For handed locks, specify LHR.

← **Hinges on Left**

Left handed lever position

**LH
LHR
Lever**

- Both exterior and interior lever handles should always point toward the door hinges.

Determine Lever Position

Before proceeding with the next step, ensure correct lever handing for proper installation:

Correct "curved" position

Incorrect

Correct "curved" position

Incorrect

Important Note: Follow the detailed instructions for cylinder installation starting with step 13 on page 11 of the installation and programming manual. Next, perform the operation tests defined in step 20 on page 13 of the installation and programming manual.

Failure to install and test the cylinder for proper function may result in improper lock operation.

Install the Exterior Lever

11. Remove clip from shank.

- A. **Once correct handing is determined**, remove the clip that has held the hub in its correct position by spreading clip ends to extract clip from shank as shown in Fig. 15.



Do not rotate cam from its original position.
("Top" is marked RED)

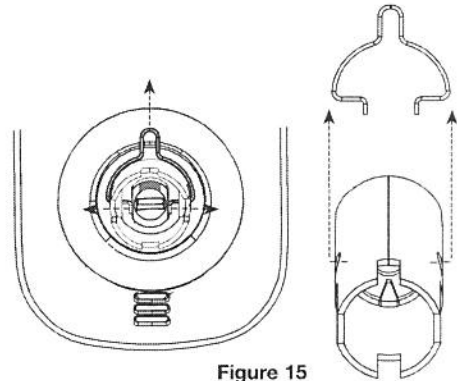


Figure 15

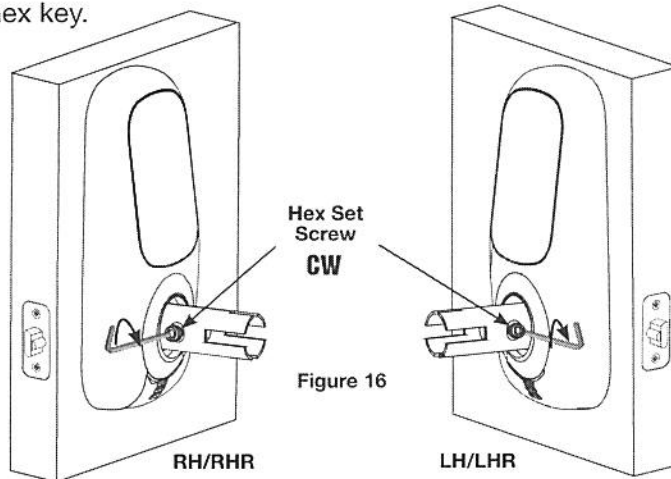
12. Install hex set screw.

- A. Place set screw in hole on side of shank toward latch (Fig. 16); turn set screw **CW** to allow for placement of lever handle over shank.

NOTE: For correct lever handing, the hex set screw for the exterior lever shank must be installed as shown (Fig. 16).

Do not overtighten.

- B. Remove hex key.



Hex Set Screw
CW

Figure 16

13. Install cylinder in exterior lever.

(If necessary, remove key from cylinder)

- A. Install cylinder in exterior lever handle as shown in Fig. 17.

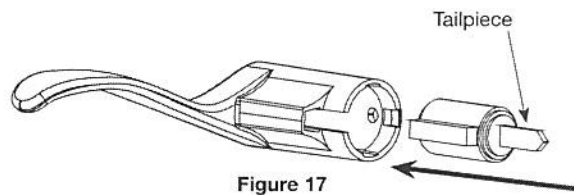


Figure 17

- B. Insert key in cylinder.

While supporting cylinder tailpiece (with finger) rotate key **90° clockwise (CW)** to vertical position **regardless of lever handing.**

See Figure 18.

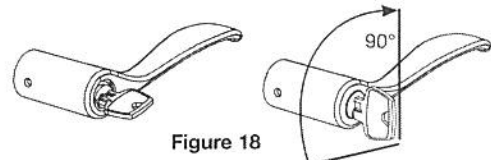


Figure 18

NOTE: Hex set screw should be inserted enough for lever handle to slide over shank, clearing set screw.

C. Ensure that cylinder key remains in previously set vertical position (Fig. 19).

14. Place exterior lever handle over shank until hole on handle aligns with set screw in shank.

Hex Lever Set Screw

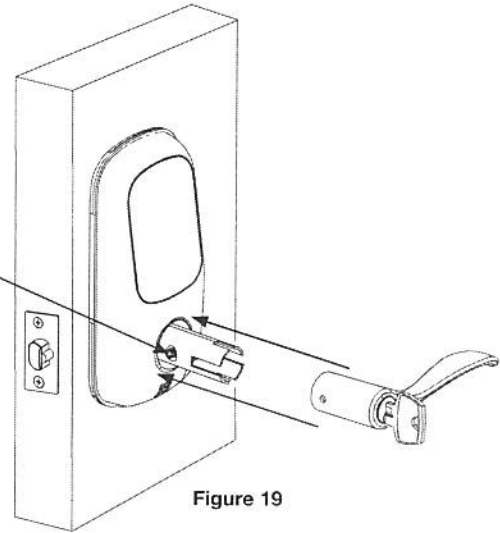


Figure 19

15. Secure lever handle by inserting hex key (Fig. 20) and rotating set screw **counter-clockwise (CCW)**.

This will retract the set screw back into the lever handle to secure it.

Do not overtighten.

A. Remove hex key.

16. Turn key 90° **CCW** to horizontal position regardless of lever handing.

Pull to remove key (Fig. 20) and test operation of lever, ensuring that latch moves smoothly.

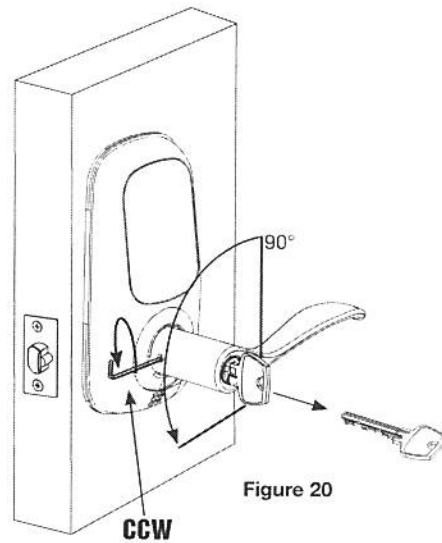


Figure 20

17. Rotate thumbturn **counter-clockwise** to horizontal position (Fig. 21).

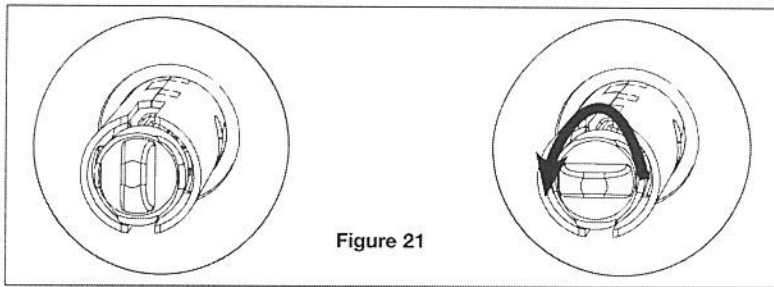


Figure 21

IMPORTANT: Test the lock's **mechanical** operation. Lift up and push down on lever handle to retract the latch, ensuring that latch moves smoothly.

If operation is not smooth for these procedures, review the previous steps to ensure proper installation, while maintaining proper alignment of escutcheons.

Install the Interior Lever

18. Install hex set screw.

NOTE: Thumbturn should still be in horizontal position.

- A. Place set screw in hole on side of shank toward latch (Fig. 22); turn set screw **CW** to allow for placement of lever handle over shank.

Do not overtighten.

NOTE: Hex set screw should be inserted enough for lever handle to slide over shank, clearing set screw.

19. Place interior lever handle over shank until hole on handle aligns with set screw in shank.

20. Secure lever handle by inserting hex key and rotating set screw **CCW** (Fig. 23).

This will retract the set screw back into the lever handle to secure it in place.

Do not overtighten.

A. Remove hex key.

IMPORTANT: Before installing the batteries, test the lock's **mechanical** operation. Place the thumbturn in the **horizontal** position. Lift up and push down on both the interior and exterior levers (one at a time) to verify that the latch is retracted by both levers in the unlocked position.

Next place thumbturn in the **vertical** position. Lifting up or pushing down on the exterior lever should **not** retract the latch. Lifting up and pushing down on the **interior** lever should still retract the latch in the locked position.

Finally, insert key in cylinder and rotate clockwise until thumbturn moves to horizontal (unlocked) position.

If operation is not smooth for any of these procedures, review the previous steps to ensure proper installation, while maintaining proper alignment of escutcheons.

Install Batteries

21. Insert four (4) AA alkaline batteries; the lock will flash, beep several times and respond with voice prompt:

"Welcome to Yale Real Living".

22. Install battery cover and tighten Phillips head screw.

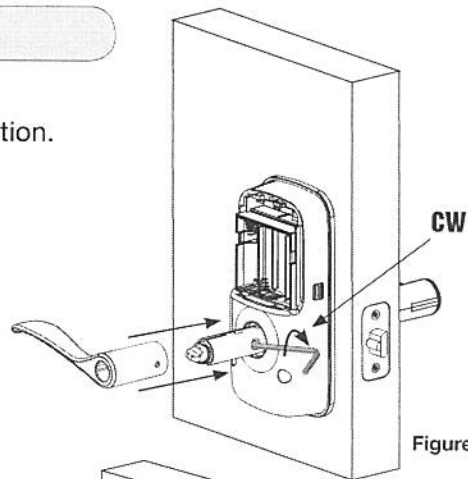


Figure 22

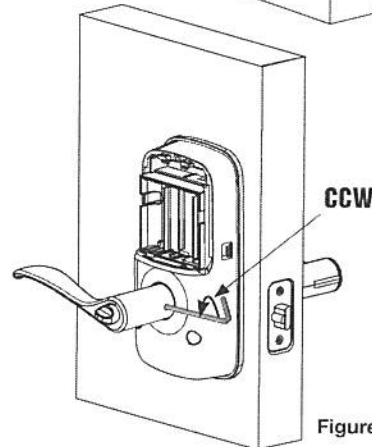


Figure 23

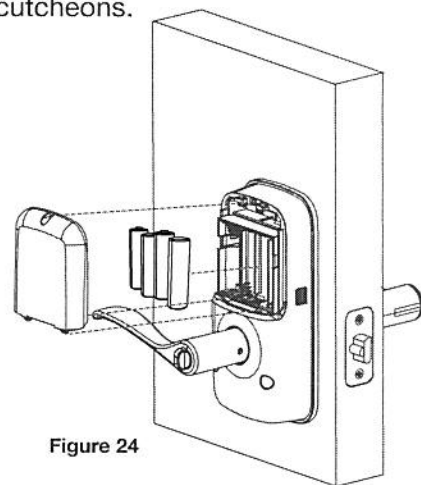


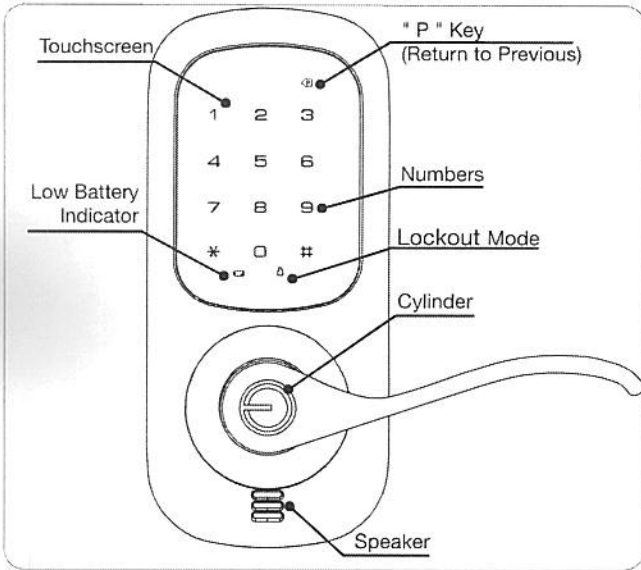
Figure 24

PROGRAMMING

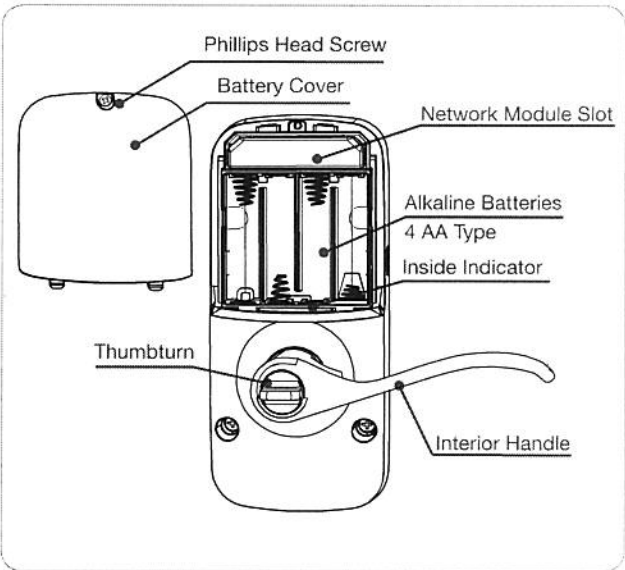
Programming Features-Menus-Keys-Definitions 14-15
 Operation 16-19

PROGRAMMING FEATURES - MENUS - KEYS - DEFINITIONS

Exterior



Interior

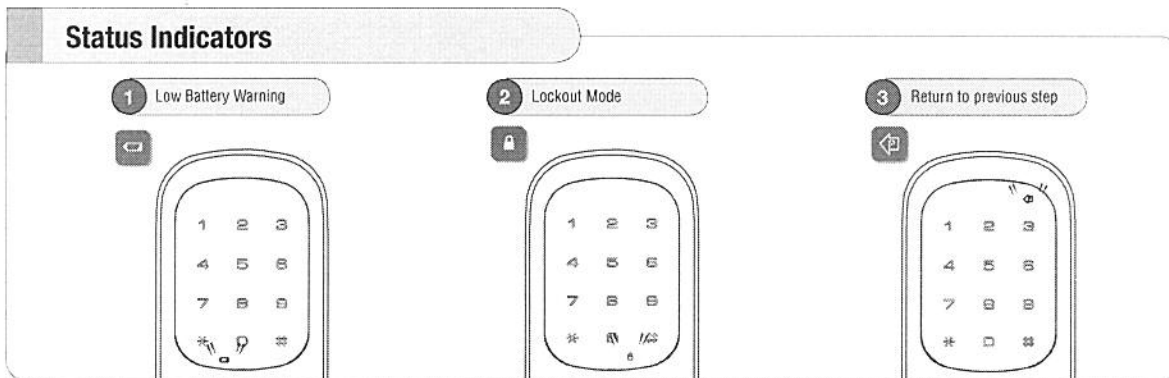


***A unique Master PIN Code must be entered prior to any further programming of the lock.
 (See section on page 16 "Register Master PIN Code Before Programming")**

Menu and Icons

	Touch the screen with palm of hand or fingers to begin and end actions.		Repeat operation using settings indicated. Enter Value 1 -10 (times or seconds).
	Click the indicated number.		Enter Master PIN code* (4-8 digits in length).
	Press the Star key on the touchscreen to Enter or Accept entry.		Enter User PIN. Can be 4-8 digits in length.
	Press the Pound key on the touchscreen to enter Menu mode.		User Serial Number (01 - 25); RF Controlled (01-250).
	Press this key to return to the previous step or menu setting.		

Status Indicators



Definitions

All Code Lockout Mode: This feature is enabled by the Master PIN code. When enabled, it restricts all user PIN code access (**except** the Master PIN code). When the unit is in Lockout Mode, the red locked padlock (see above) will appear on the screen when attempting to enter a PIN code.

Automatic Re-lock Time: After successful code entry and the unit unlocks, it will automatically re-lock after a default of thirty (30) seconds. Re-lock time is adjustable** from 10 - 240 seconds.

Inside Indicator Light: Located on the interior escutcheon, it shows active status (Locked) of lock and can be enabled or disabled in the **Advanced Lock Settings** (Main Menu selection #3).

Language Setting Mode: Choosing English (1), Spanish (2) or French (3) becomes the (default) setting for the lock's voice prompts.

Low Battery: When battery power is low, the Low Battery Warning Indicator flashes RED. If battery power is completely lost, use the cylinder key override.

Master PIN Code: The Master PIN code is used for programming and for feature settings and **must be registered prior to programming the lock**. The Master PIN code will also operate the lock.

Network Module Setting: With the optional Network Module installed, this setting becomes available through the Main Menu (7) and allows the lock to connect with a network controller.

One Touch Locking: When the latch is retracted, activating the keypad will extend the latch; (during Automatic Re-lock duration or when Automatic Re-lock is disabled). When One-Touch Re-lock is **not in use (disabled)**, any valid PIN code will re-lock the lock.

Previous: While in Menu Mode, pressing this icon (#3 above) cancels the current operation and returns the user to the previous step.

Shutdown Time: The unit will shutdown (flashing RED) for a default** of sixty (60) seconds and not allow operation after the wrong code entry limit (5 attempts) has been met.

Tamper Alert: Audible alarm sounds if attempting to forcibly remove outside lock from door.

User PIN Code: The User code operates the lock. Maximum number of user codes is 250 with Network Module; without Network Module, maximum is 25 user codes. Note that when deleting User PIN code(s), screen will display User Number (not PIN code) being deleted.

Volume Setting Mode: The volume setting for PIN code verification is set to **Low (2) by default**; otherwise it can be set to **High (1)** or **Silent (3)** for quiet areas.

Wrong Code Entry Limit: After a specified number of unsuccessful attempts at entering a valid PIN code the unit will shut down and not allow operation. Wrong code entry limit is adjustable** from one (1) to ten (10) times. With no RF network enabled - default is 5 attempts; 10 with RF network enabled.

**Adjustable only when using Network Module


OPERATION

Lock Activation

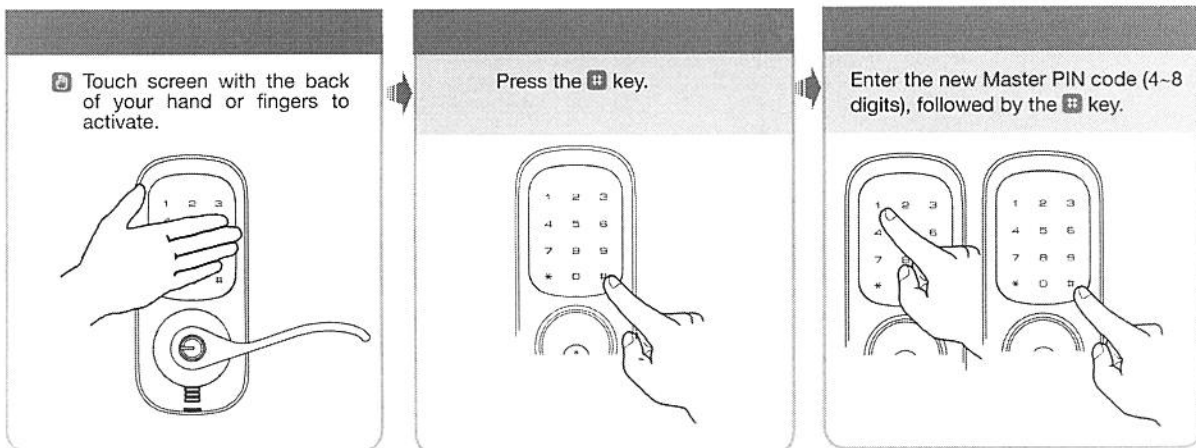
The touchscreen can be activated in several ways:



Register Master PIN Code Before Programming*

1. Touch the screen with the back of your hand or fingers to activate .
2. Press the **1** key.
Lock Response: "Register Master Code; press the **#** key to continue."
3. Press the **#** key.
Lock Response: "Enter a 4 to 8 digit PIN code followed by the pound key."
4. Enter new 4-8 digit Master PIN code followed by the **#** key.
Lock visually confirms PIN code selection, announces "Registered".

*This initial step **must** be performed upon installation or after resetting the lock to factory default. Programming and subsequent use of the lock is not possible until this step has been successfully completed.



Protect your privacy; always shield your PIN code entry.

To reset the lock to factory default, see the following:

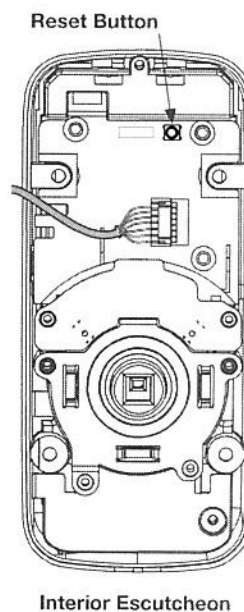
Reset Lock to Factory Default

The following procedure returns the lock to its factory defaults by deleting all user codes (including the Master PIN code[®]) and returning all programming features to their original factory default settings (see table below).

1. Remove the batteries and then remove the interior escutcheon to access the reset button.
2. The reset button (see image at right) is located above the PCB cable connector.
3. Hold down the reset button for a minimum of 3 seconds and then reinstall the batteries; once the batteries are properly installed, release the reset button.

All features, including adjustable settings** (see below) should now be returned to factory default.

[®]Upon reset (and initialization) of the lock, Master PIN Code Registration is the **only option available** and **must be performed** prior to any other programming of the lock.



Factory Default Settings

Settings	Factory Default
Master PIN Code	Registration <i>required</i>
Automatic Re-lock	Disabled
Inside Indicator Light	Disabled (Off)
One Touch Locking	Enabled
Volume Setting	Enabled (Low)
Automatic Re-lock Time	**30 Seconds
Wrong Code Entry Limit	**5 Times
Shutdown Time	**60 Seconds

**Adjustable only when using Network Module










See **this section** for programming instructions.

PIN code structure

Maximum number of user PIN codes is 250 with Network Module; without Network Module, maximum is 25 user PIN codes.

Set Up User PIN Codes

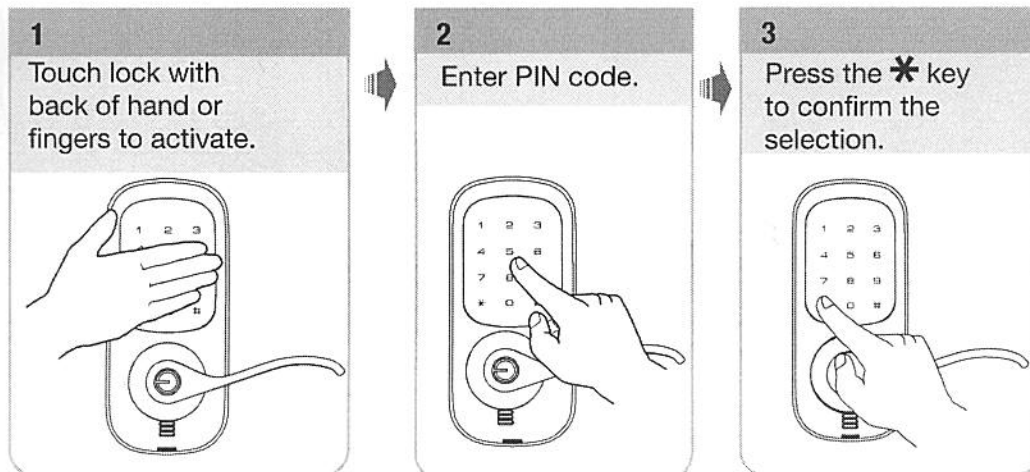
User PIN Codes can only be programmed through the Master PIN Code*.

1. Touch the screen with the back of your hand or fingers to activate .
2. Enter the 4-8 digit Master PIN code followed by the  key.
Lock Response: "Menu mode, enter number, press the  key to continue."
3. Enter "2" followed by the  key.
4. Enter "1" followed by the  key.
5. Enter the User Number to be registered (1-25) followed by the  key.
6. Enter a 4-8 digit PIN code for the User number followed by the  key.
The screen will visually confirm the PIN code just entered.
7. **To continue adding users** press the  key.
8. Press the  key to complete the process and conclude the programming session.


Note: When registering User codes, the code must be entered within 20 seconds or time expires. Lock Response: "Time expired", no codes are registered and the process must be re-started.

*Master PIN code must be registered before User PIN codes can be added.

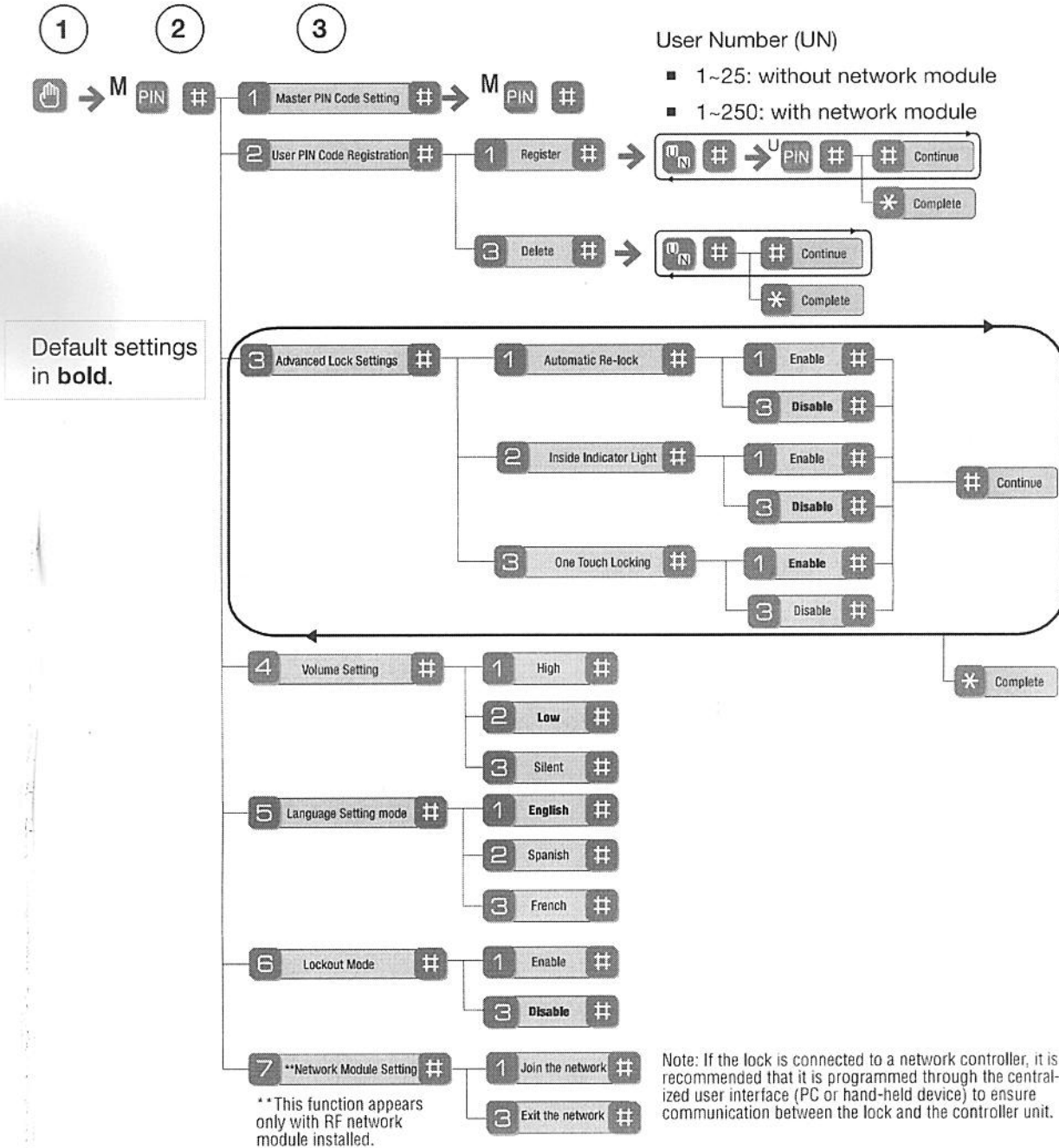
Open Door with User PIN Code



Feature Programming Through Menu Mode Using Master PIN code*

1. Touch the screen with the back of your hand or fingers to activate .
2. Enter the 4-8 digit Master PIN code* followed by the # key.
Lock Response: "Menu mode, enter number, press the # key to continue."
3. Enter digit corresponding to the function to be performed followed by the # key.
Follow the voice commands.

*A unique Master PIN Code must be entered (registered) prior to any further programming of the lock. (See section on page 16 "Register Master PIN Code Before Programming")



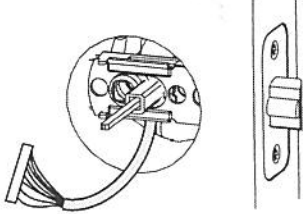
MISCELLANEOUS

Hardware Troubleshooting.....	20
Programming Troubleshooting	21
Installing the Network Module	22
Replace/Install Cylinder	22
Sample PIN Code Management Sheet.....	23

TROUBLESHOOTING

Hardware Troubleshooting

Cycle the lock in both the locked and the unlocked positions. If problems are found:

Symptom	Suggested Action
Door is binding	<ul style="list-style-type: none"> a. Check that door and frame are properly aligned and door is free swinging. b. Check hinges: They should not be loose or have excessive wear on knuckles.
Latch will not deadlock	<ul style="list-style-type: none"> a. Check for sufficient clearance of the latch within the strike-side jamb. Correct this by increasing the depth of the pocket for the latch. b. Check for misalignment of latch and/or strike which may be preventing latch from properly entering the strike. With the door open, extend and retract the latch; if it is smooth, check the strike alignment.
Latch does not extend or retract smoothly	<ul style="list-style-type: none"> a. Latch and strike are misaligned, see above. b. Check the backset of door relative to adjustments already made to latch. c. Verify proper door preparation and re-bore holes that are too small or misaligned. d. Verify keypad wire harness is routed under the latch (see Fig. A). e. Verify latch is installed with correct side up (Fig. A). <div style="text-align: center;"> <p>Interior of Door</p>  <p>Figure A</p> </div>

Programming Troubleshooting

Symptom	Suggested Action
Lock does not respond – door is open and accessible.	<p>The touchscreen will become active when pressed with the back of hand or fingers in at least 3 areas simultaneously.</p> <p>Use a larger area of the hand or fingers and verify contact with at least 3 areas.</p> <p>If touchscreen numbers are visible, check to see if they respond when pressed.</p> <p>Check batteries are installed and oriented correctly in the battery case.</p> <p>Check batteries are in good condition; replace batteries* if discharged.</p> <p>Check to see if touchscreen wire harness is fully connected and ensure it is not pinched.</p>
Lock does not respond – door is locked and inaccessible.	<p>Batteries may be completely discharged.</p> <p>Use mechanical key to gain entry and replace batteries*.</p>
The unit is on for a while, and then shows no reaction. Lights dim.	<p>The batteries do not have enough power. Replace the batteries*.</p>
Unit chimes to indicate code acceptance, but the door will not open.	<p>Check the door gaps for any foreign objects between door and frame.</p> <p>Check that the wire harness is firmly connected to the PCB.</p>
Unit operates to allow access, but will not automatically re-lock.	<p>Check to see if Automatic Re-lock Mode is enabled.</p> <p>Disable Automatic Re-lock Mode to lock the door (automatically) If low battery indicator is lit, replace batteries*.</p>
PIN codes will not register.	<p>PIN codes must consist of 4 to 8 digits to register.</p> <p>The same PIN code cannot be used for multiple users.</p> <p>Registration/management of PIN codes is set by the authority of Master PIN Code.</p> <p>The Master PIN code must be registered prior to adding any users.</p> <p>Contact the Master PIN Code user.</p> <p>User codes must be entered within 5 seconds (while the touchscreen is active) or the process will have to be restarted.</p> <p>The star * (*) or pound # (#) can not be used as part of the PIN code.</p>
Upon entering a PIN code and pressing the star (*) key, the unit displays an "invalid code" error or the lock times out without responding.	<p>Lockout Mode is enabled.</p> <p>Only the Master PIN Code can enable Lockout Mode.</p> <p>Contact the Master PIN Code user.</p>
Upon entering a PIN code and pressing the (*) key, the red padlock icon appears and there are different tones.	<p>Check to see if Lockout Mode** is enabled.</p> <p>Setting/managing Lockout Mode is done through Master PIN Code only. Contact the Master PIN Code user.</p>
The unit operates, but it makes no sound.	<p>Check to see if Silent Mode is enabled (see Programming Feature #4).</p>
The unit responds "Low Battery"	<p>This is the voice alarm alerting that it is time to replace the batteries. Replace all four (4) batteries with new AA Alkaline batteries*.</p>
Upon entering a PIN code and pressing the star (*) key, the unit responds "Wrong number of digits."	<p>The digits entered were incorrect or incomplete. Re-enter the correct code.</p>

* When batteries are replaced, Network Module locks have a real time clock that will be set through the User Interface; it is recommended to verify correct date and time particularly those locks operating under Daylight Saving Time (DST).

** Network module units only